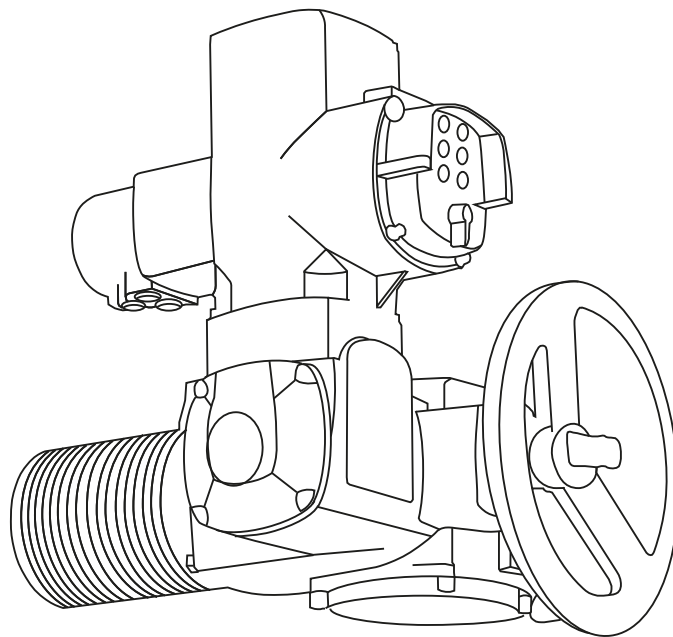


## **BAP 99** Antriebsmöglichkeiten

*Actuations*

*Formes d'entrainements*



01

02

03

04

05

06

07

08

09

10

11

12

13

14

15

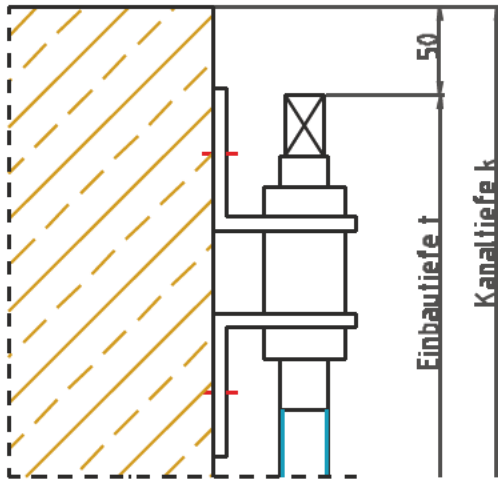
16

17

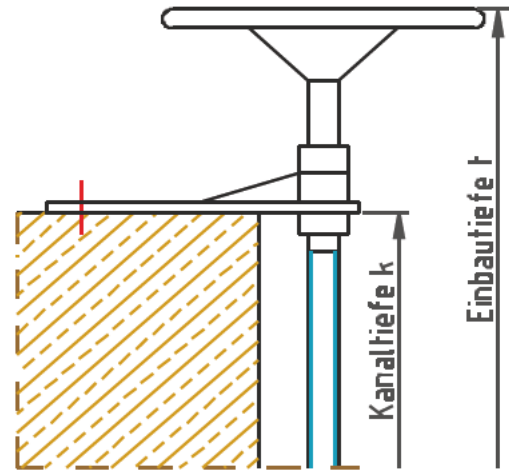
**99**



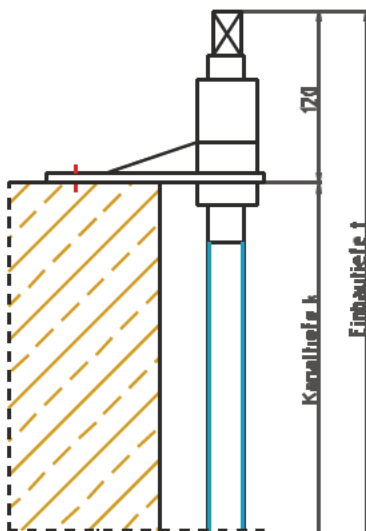
99.01 - 04 Antriebsformen - Actuation types - Formes d'entrainents



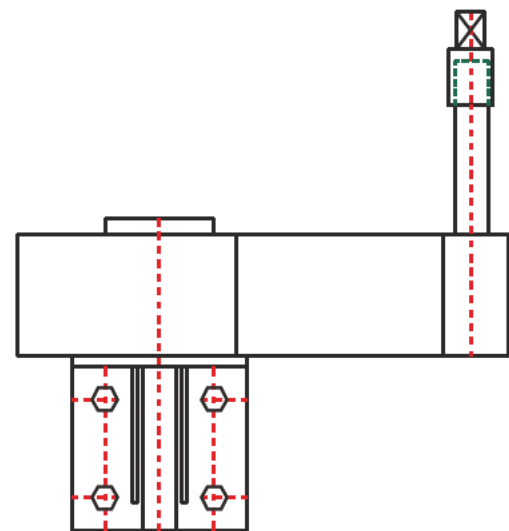
99.01 Actuation with square bar in manhole



99.02 Actuation with handwheel on wall cap

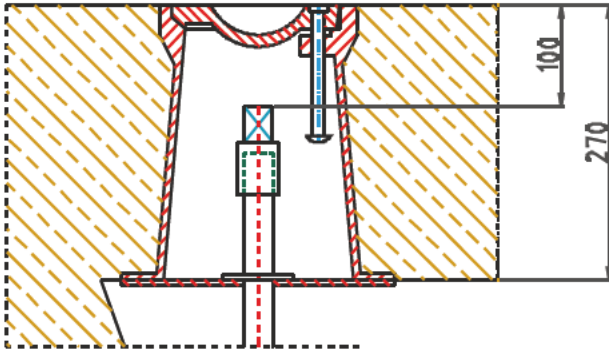


99.03 Actuation with square bar on wall cap

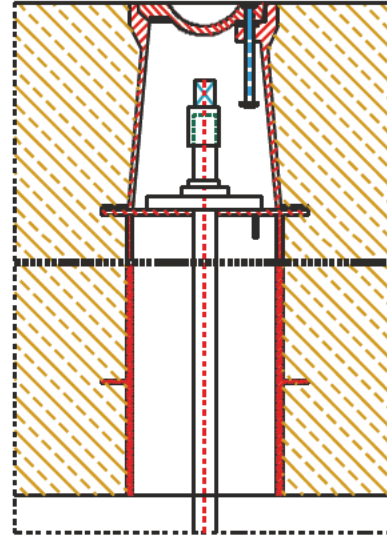


99.04 Actuation with square bar using gear reducer unit in manhole

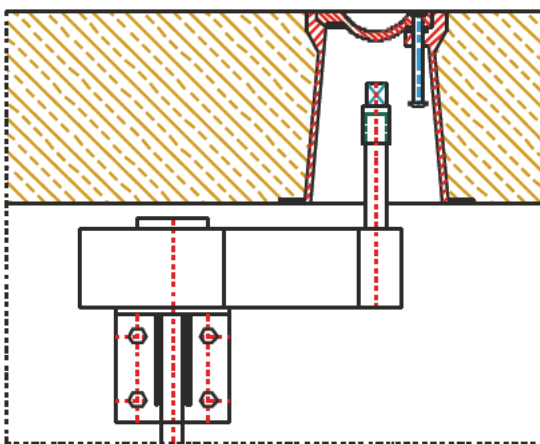
99.05 - 08 Antriebsformen - Actuation types - Formes d'entrainants



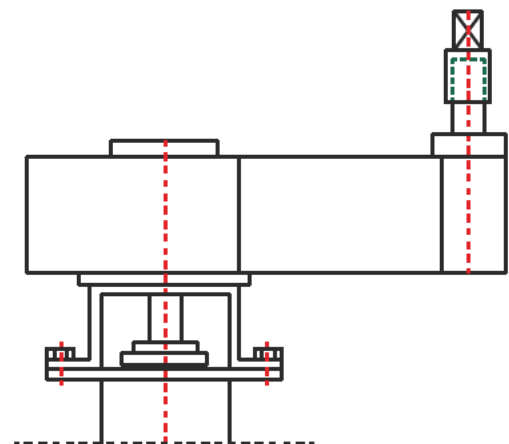
99.05 Actuation with square bar in valve box



99.06 Actuation with square bar and position indicator in valve box

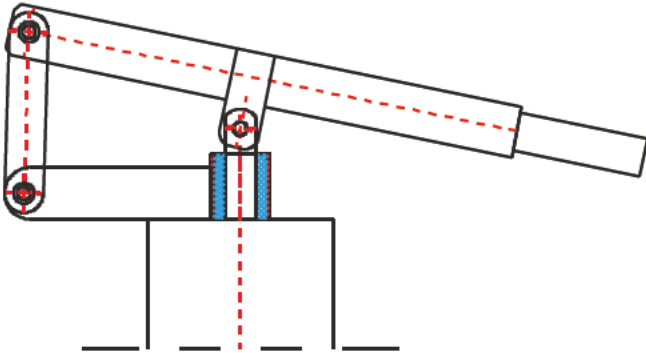


99.07 Actuation with square bar and gear reducer unit valve box

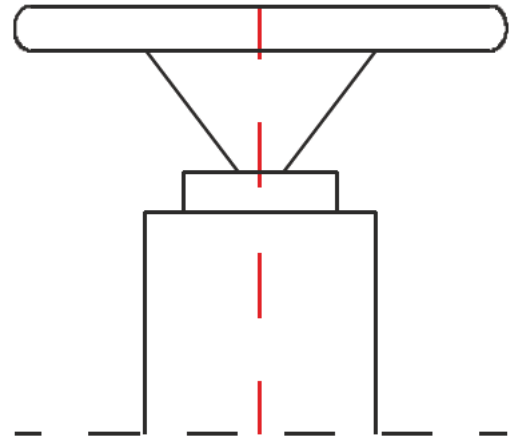


99.08 Actuation with square bar using gear reducer unit

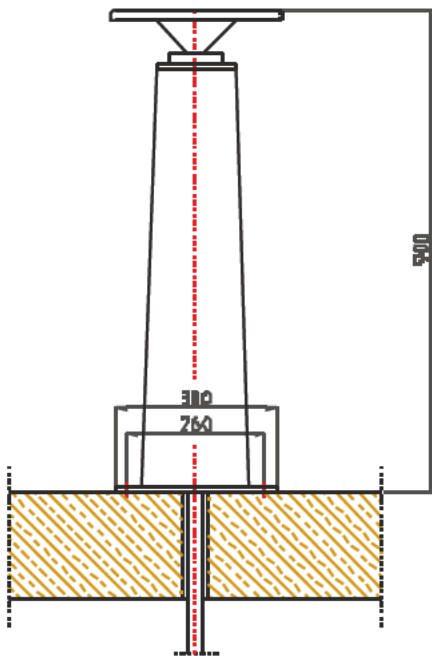
99.09 - 12 Antriebsformen - Actuation types - Formes d'entraînents



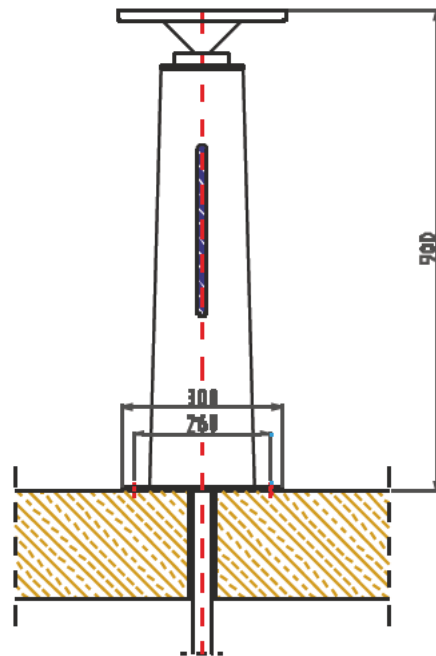
99.09 Actuation with hand lever, quick active valve



99.10 Actuation with handwheel

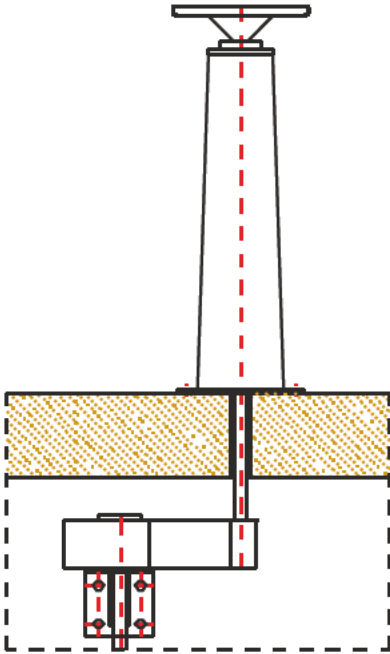


99.11 Actuation with handwheel on straight floor-mounted pillar

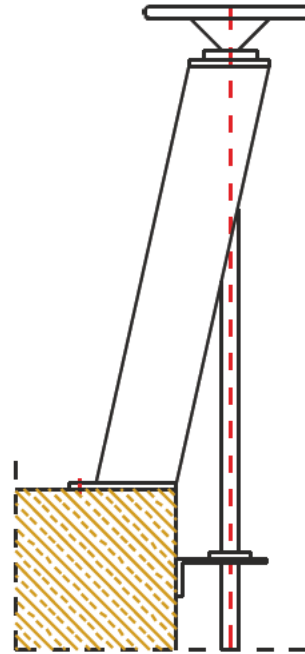


99.12 Actuation with handwheel on straight floor-mounted pillar with position indicator

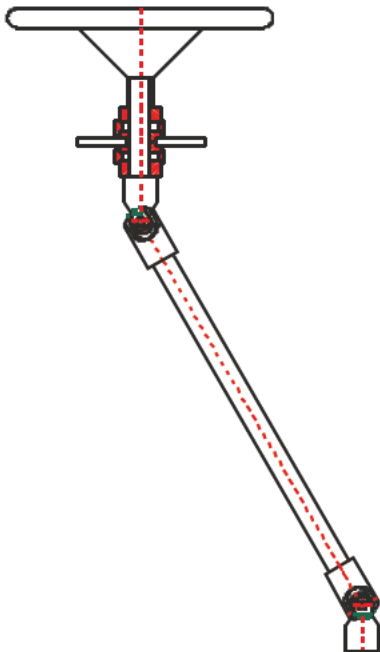
99.13 - 16 Antriebsformen - Actuation types - Formes d'entraînents



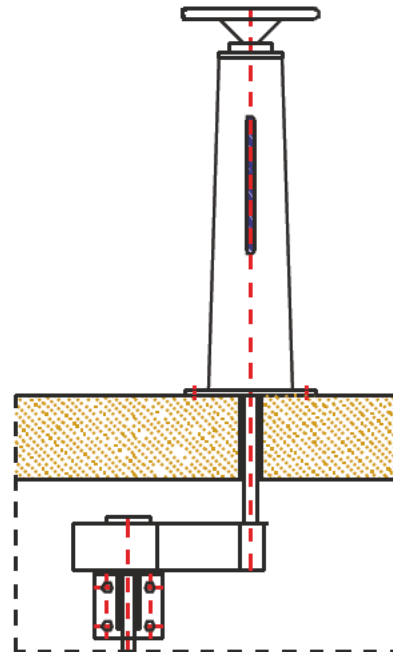
99.13 Actuation with handwheel using gear reducer unit on straight floor-mounted pillar



99.14 Actuation with handwheel on cranked floor-mounted pillar

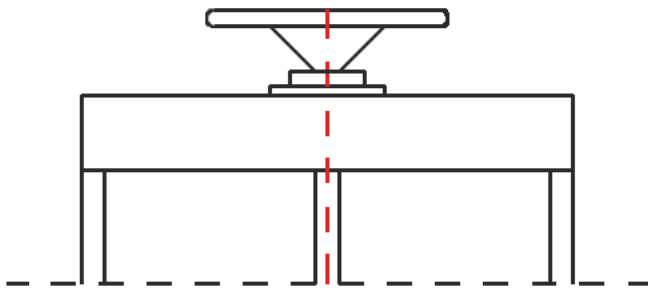


99.15 Actuation with handwheel using cardan joint

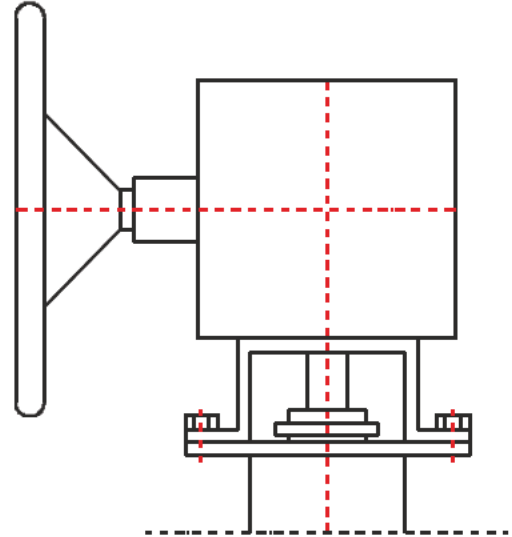


99.16 Actuation with handwheel using gear reducer unit on straight floor-mounted pillar with position indicator

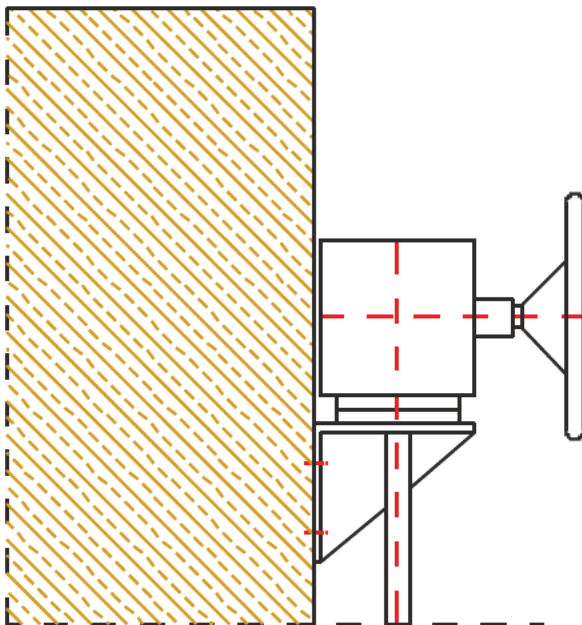
99.17 - 20 Antriebsformen - Actuation types - Formes d'entrainents



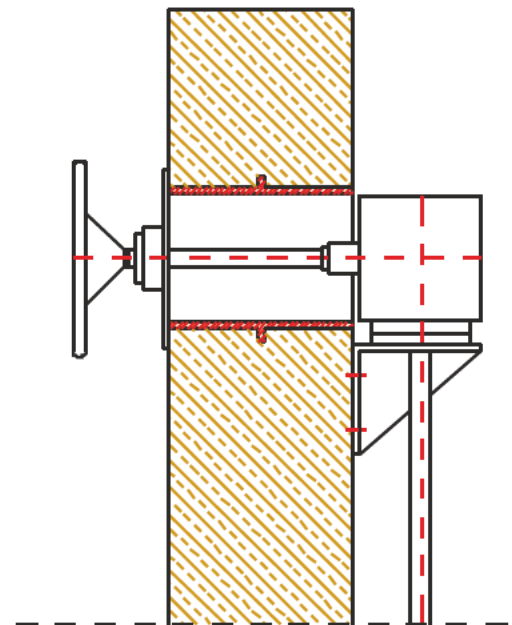
99.17 Actuation with handwheel on crosshead



99.18 Actuation with handwheel using angular gears

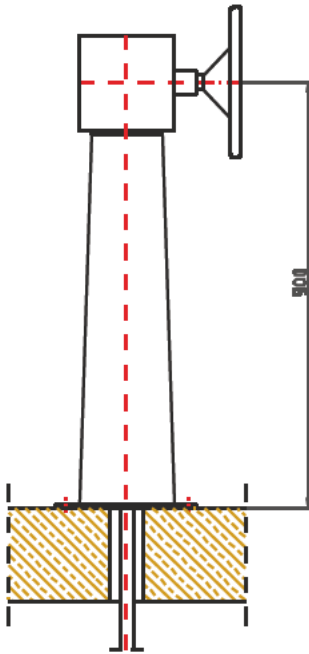


99.19 Actuation with handwheel using angular gear on manhole wall

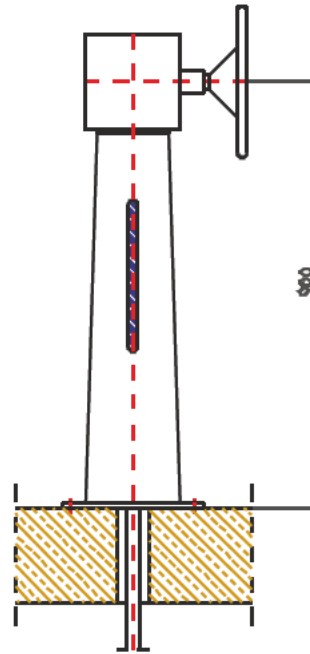


99.20 Actuation with chain wheel using angular gear through manhole wall leadthrough

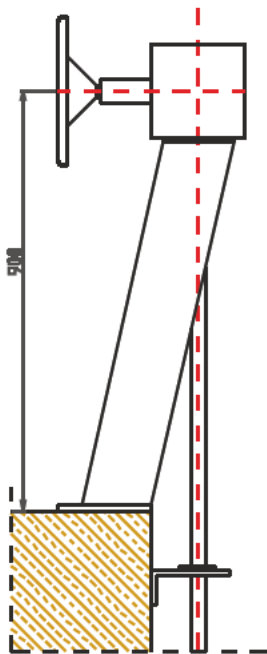
## 99.21 - 23 Antriebsformen - Actuation types - Formes d'entraînents



**99.21** Actuation with handwheel using angular gear on straight floor-mounted pillar



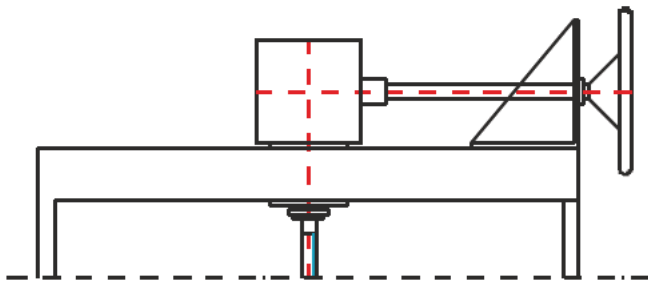
**99.22** Actuation with handwheel using angular gear on straight floor-mounted pillar with position indicator



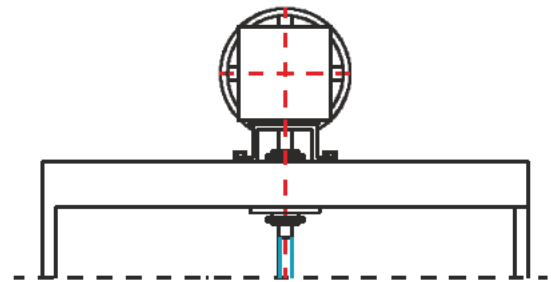
**99.23** Actuation with handwheel using angular gear on cranked floor-mounted pillar



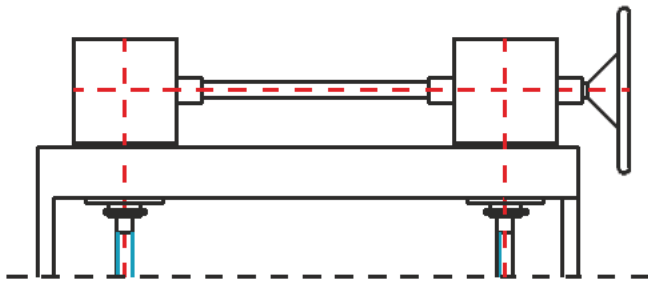
99.25 - 28 Antriebsformen - Actuation types - Formes d'entrainements



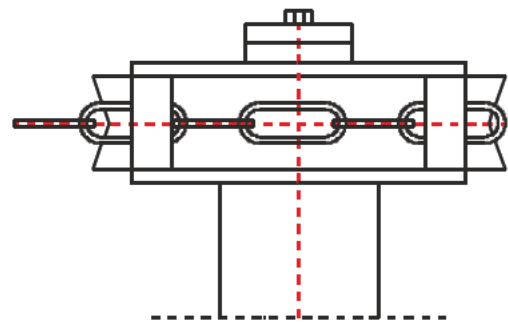
99.25 Actuation with handwheel using angular gears to side of crosshead



99.26 Actuation with handwheel using angular gears centred on crosshead

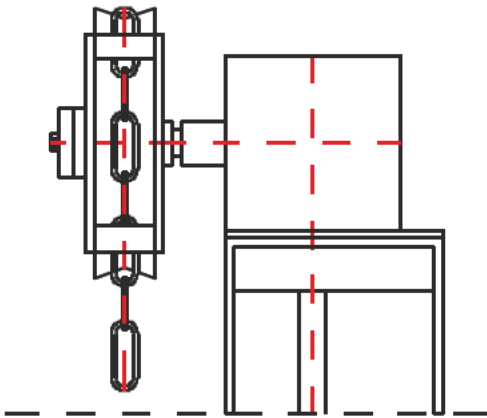


99.27 Actuation with handwheel using angular gears on crosshead, double spindle

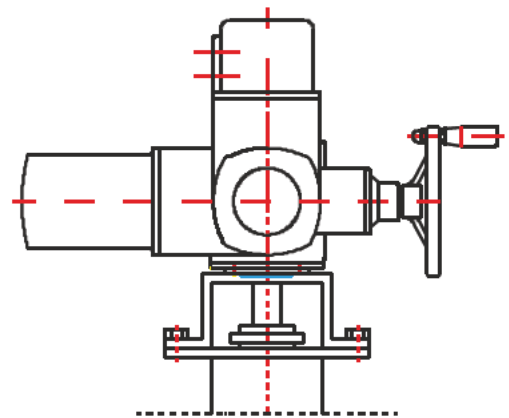


99.28 Actuation with chain wheel and chain protector

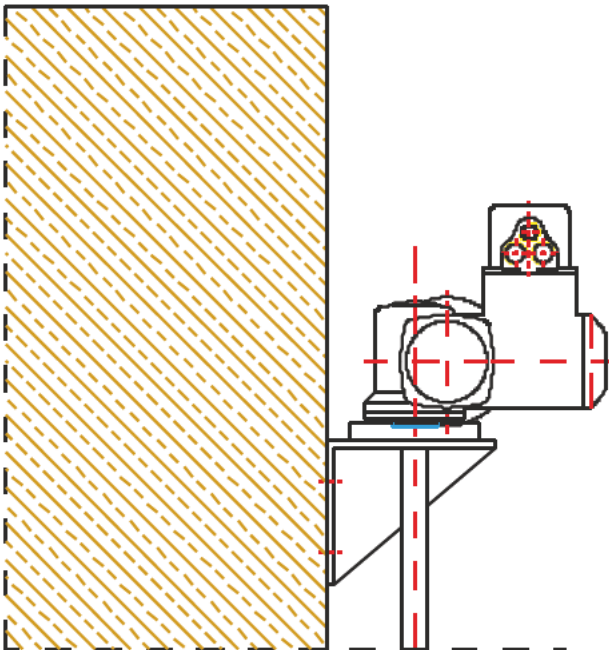
99.29 - 32 Antriebsformen - Actuation types - Formes d'entrainents



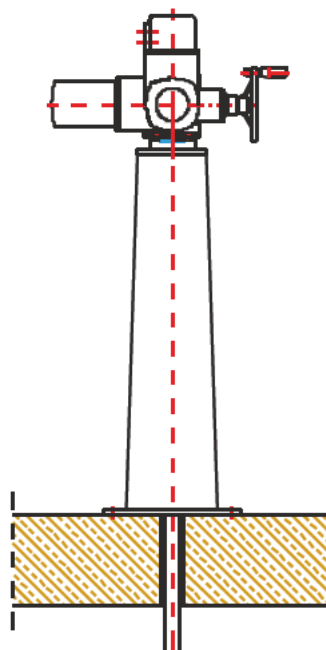
99.29 Actuation with chain wheel and chain protection using angular gear



99.30 Actuation with electrical drive

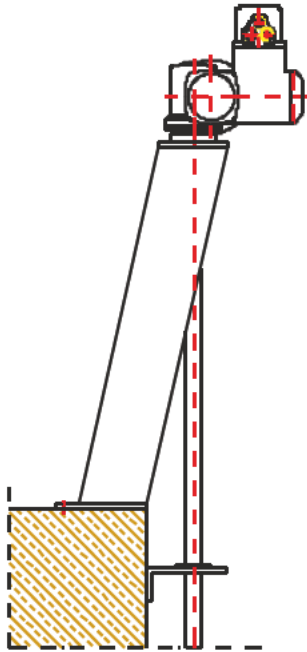


99.31 Actuation with electrical drive on manhole wall

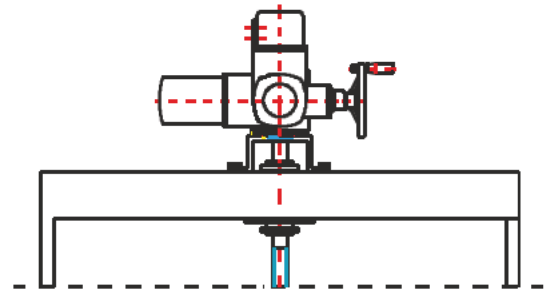


99.32 Actuation with electrical drive on straight floor-mounted pillar

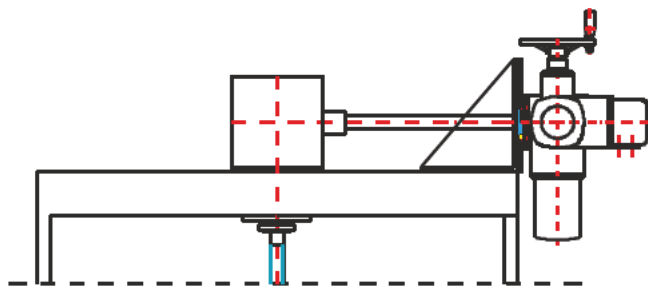
99.33 - 36 Antriebsformen - Actuation types - Formes d'entrainants



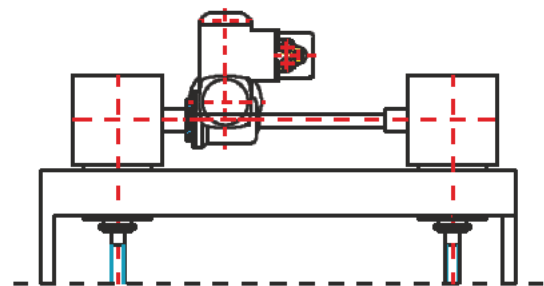
99.33 Actuation with electrical drive on cranked floor-mounted pillar



99.34 Actuation with electrical drive centred on crosshead

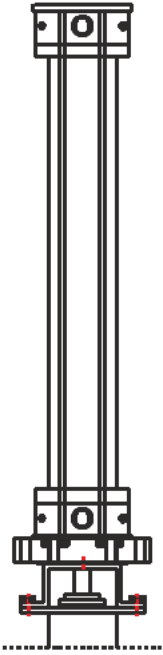


99.35 Actuation with electrical drive using angular gears to side of crosshead

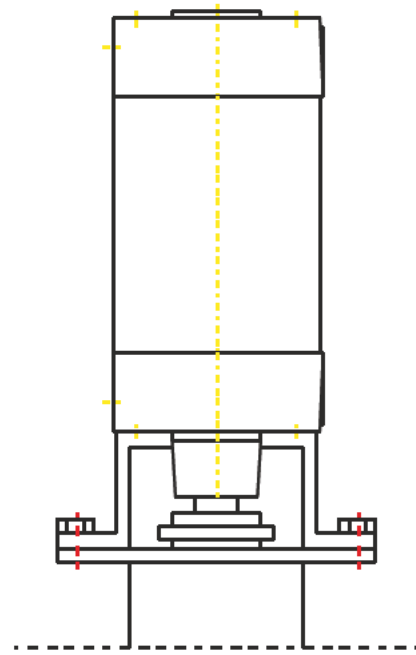


99.36 Actuation with electrical drive using angular gears on crosshead, double spindle

99.40 - 41 Antriebsformen - Actuation types - Formes d'entraînents



99.40 Actuation with hydraulic cylinder



99.41 Actuation with pneumatic cylinder