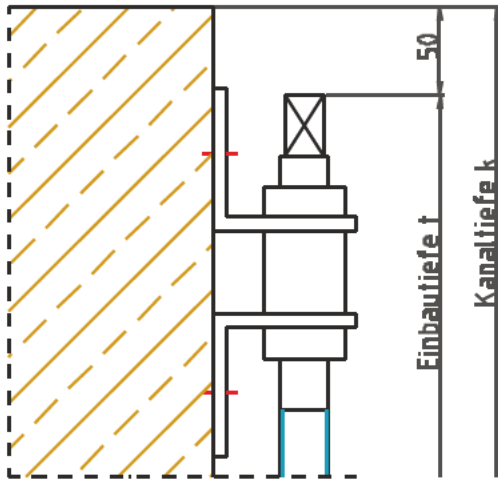
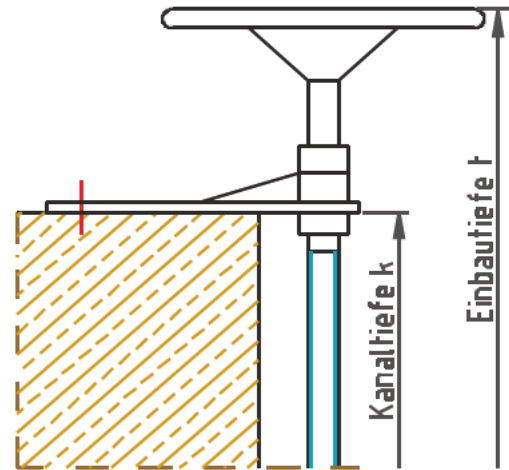


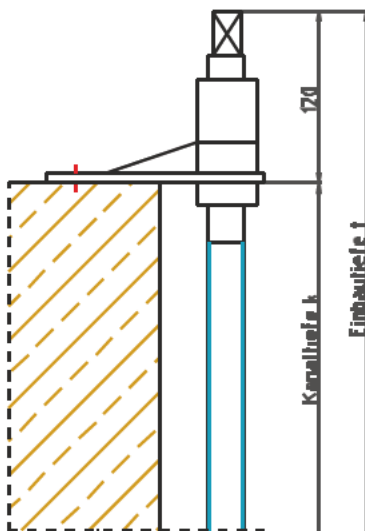
99.01 - 04 Antriebsformen - Actuation types - Formes d'entrainents



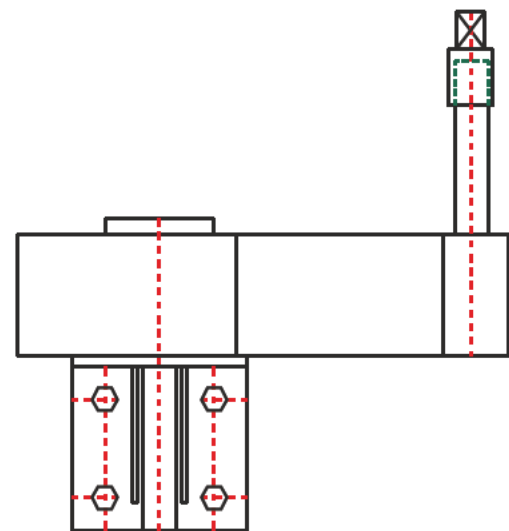
99.01 Actuation with square bar in manhole



99.02 Actuation with handwheel on wall cap

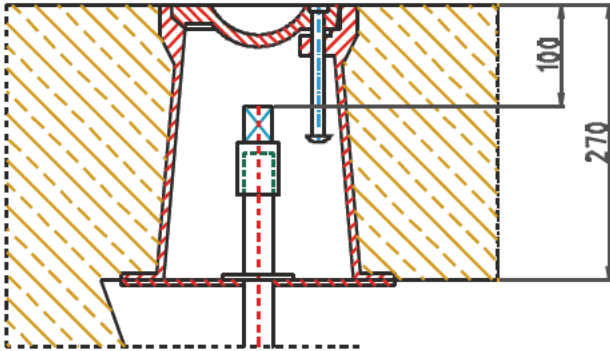


99.03 Actuation with square bar on wall cap

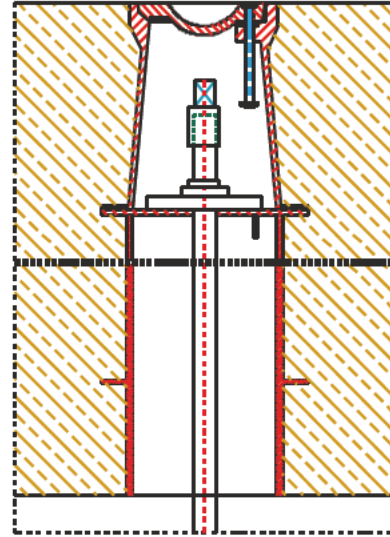


99.04 Actuation with square bar using gear reducer unit in manhole

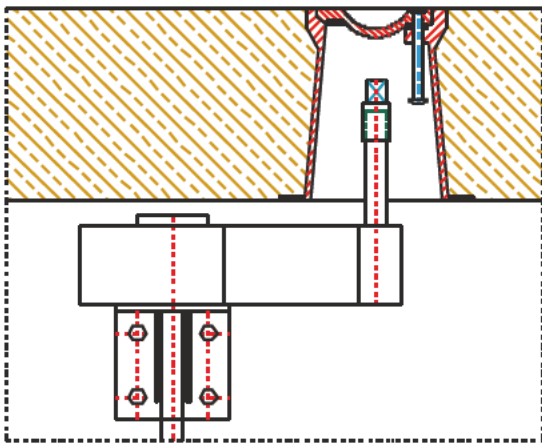
99.05 - 08 Antriebsformen - Actuation types - Formes d'entrainants



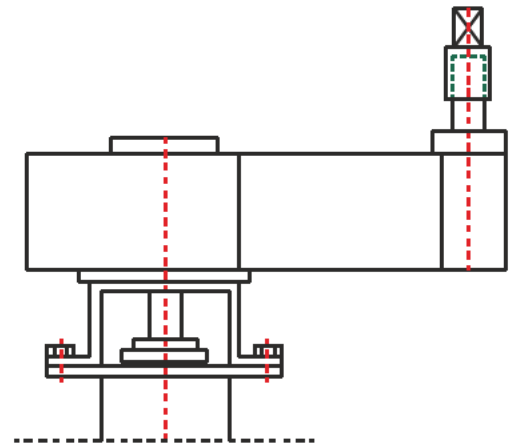
99.05 Actuation with square bar in valve box



99.06 Actuation with square bar and position indicator in valve box



99.07 Actuation with square bar and gear reducer unit valve box



99.08 Actuation with square bar using gear reducer unit