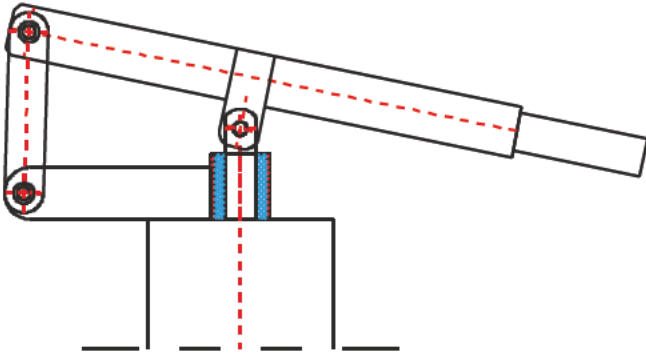
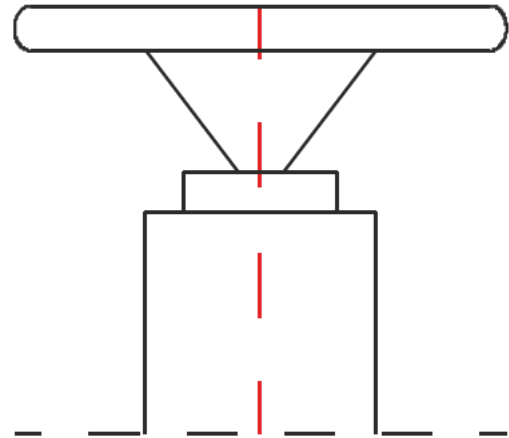


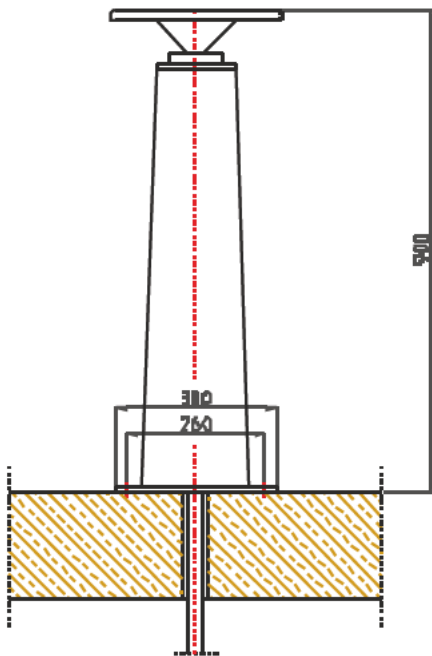
99.09 - 12 Antriebsformen - Actuation types - Formes d'entrainants



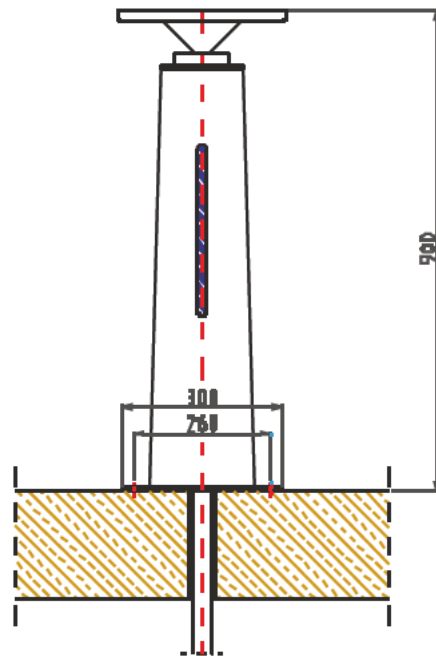
99.09 Actuation with hand lever, quick active valve



99.10 Actuation with handwheel

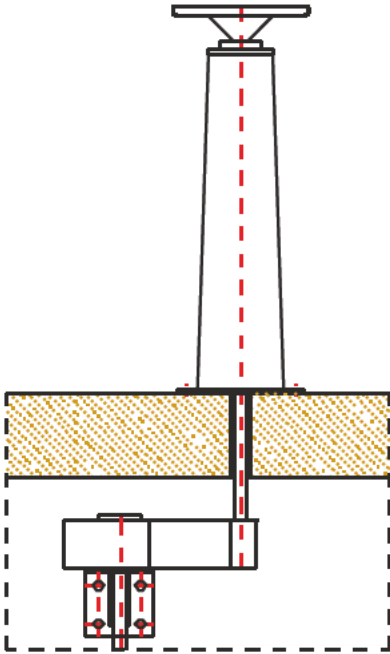


99.11 Actuation with handwheel on straight floor-mounted pillar

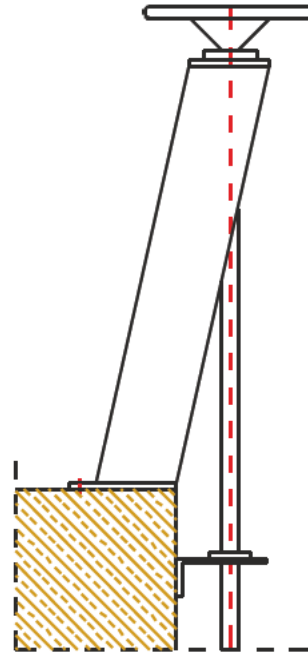


99.12 Actuation with handwheel on straight floor-mounted pillar with position indicator

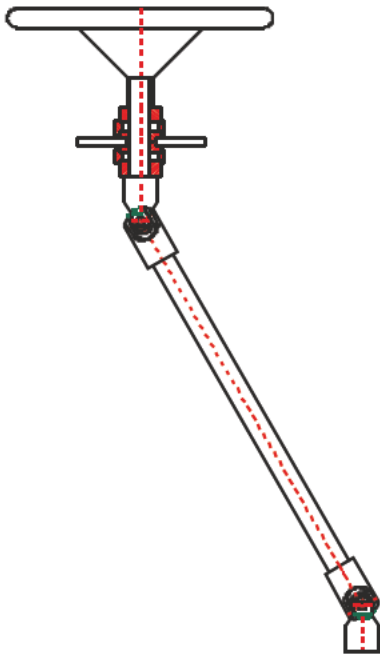
99.13 - 16 Antriebsformen - Actuation types - Formes d'entraînents



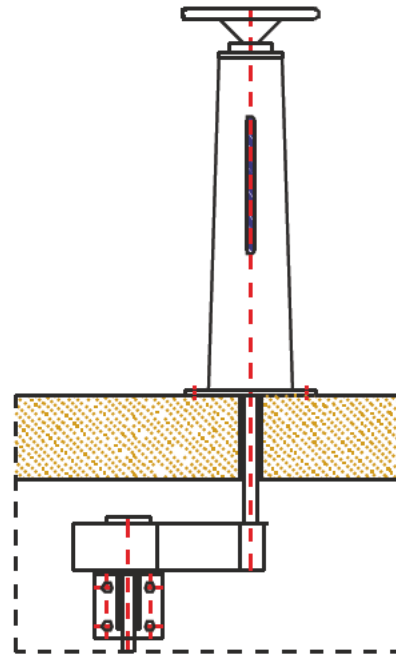
99.13 Actuation with handwheel using gear reducer unit on straight floor-mounted pillar



99.14 Actuation with handwheel on cranked floor-mounted pillar

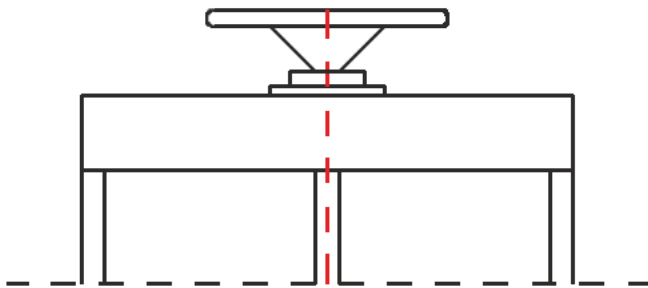


99.15 Actuation with handwheel using cardan joint

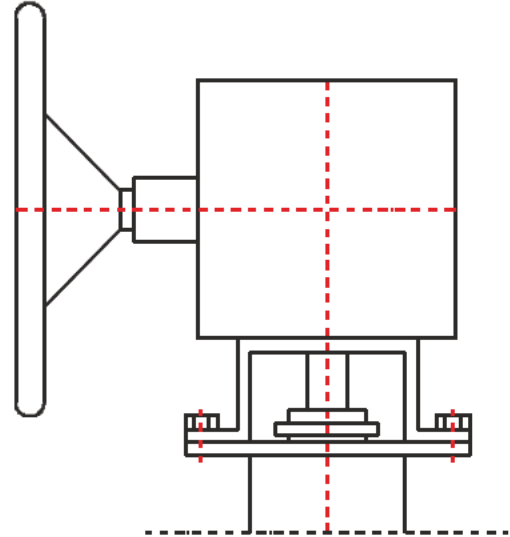


99.16 Actuation with handwheel using gear reducer unit on straight floor-mounted pillar with position indicator

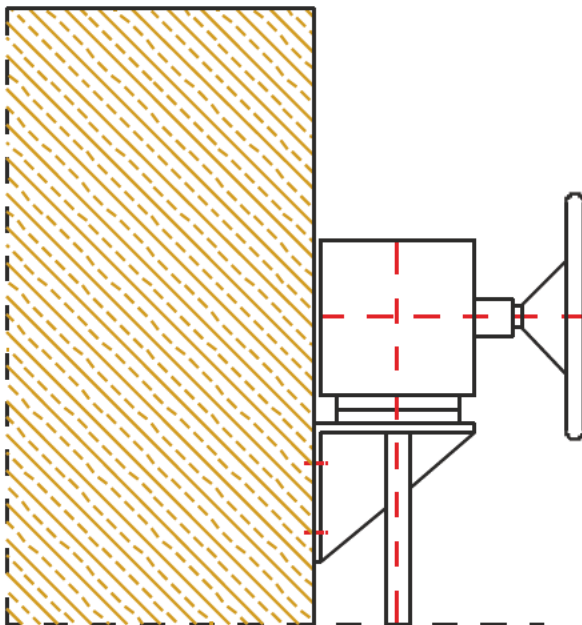
99.17 - 20 Antriebsformen - Actuation types - Formes d'entrainants



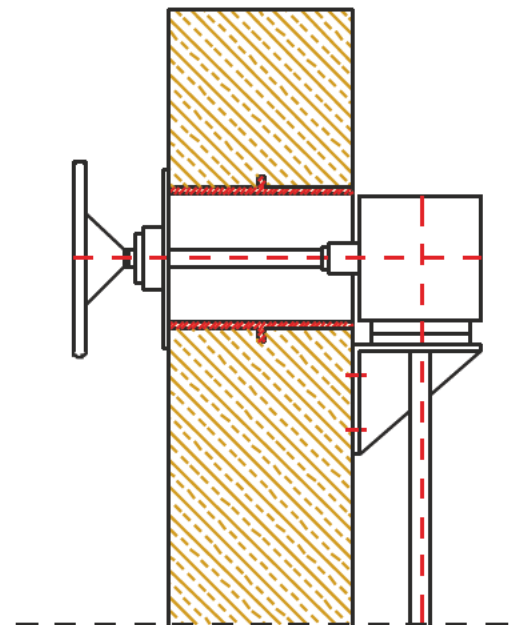
99.17 Actuation with handwheel on crosshead



99.18 Actuation with handwheel using angular gears

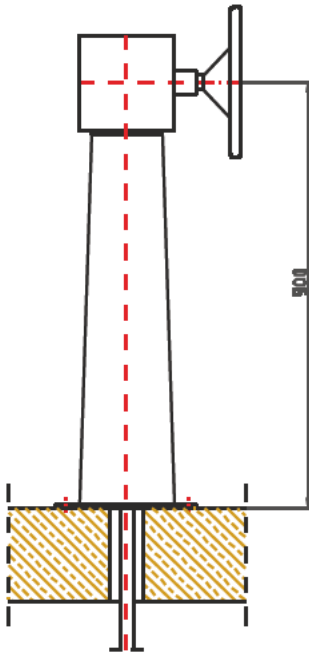


99.19 Actuation with handwheel using angular gear on manhole wall

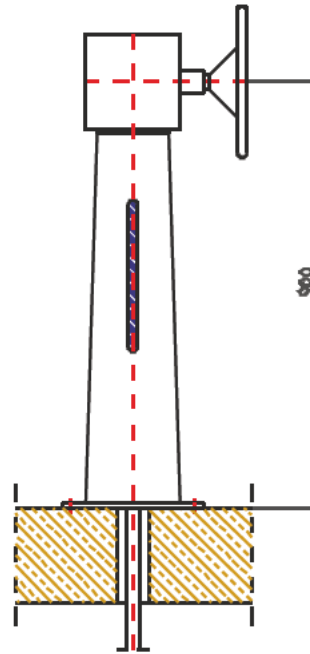


99.20 Actuation with chain wheel using angular gear through manhole wall leadthrough

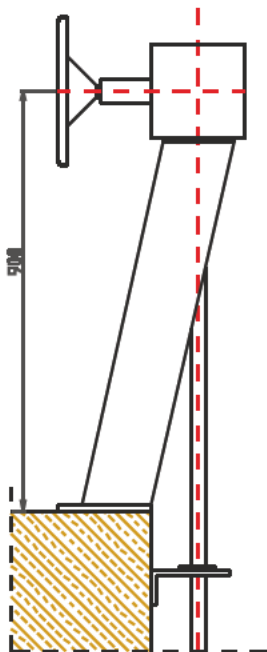
99.21 - 23 Antriebsformen - Actuation types - Formes d'entraînents



99.21 Actuation with handwheel using angular gear on straight floor-mounted pillar

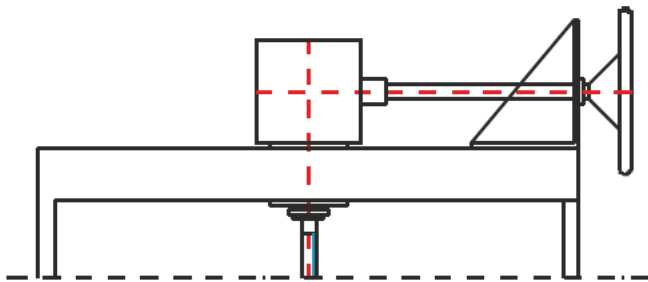


99.22 Actuation with handwheel using angular gear on straight floor-mounted pillar with position indicator

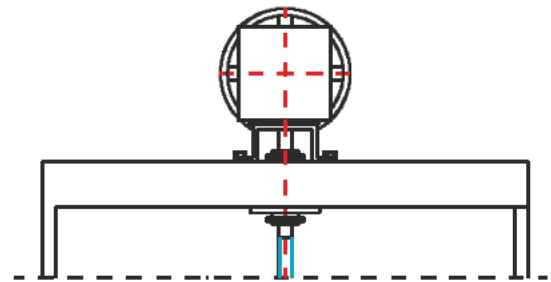


99.23 Actuation with handwheel using angular gear on cranked floor-mounted pillar

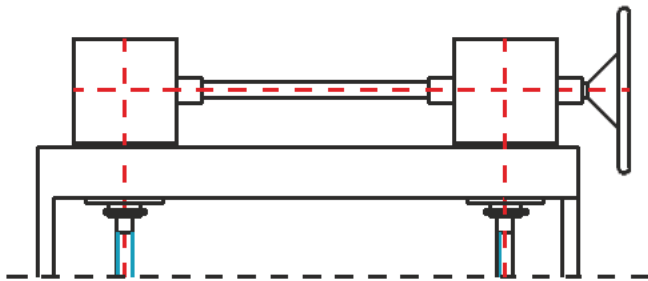
99.25 - 28 Antriebsformen - Actuation types - Formes d'entrainements



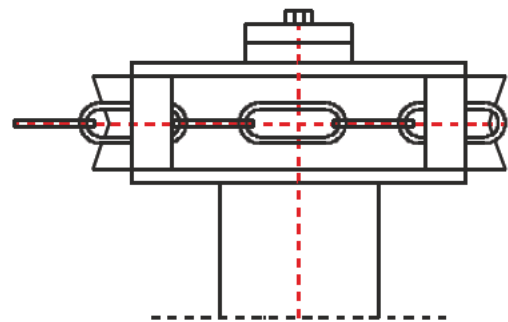
99.25 Actuation with handwheel using angular gears to side of crosshead



99.26 Actuation with handwheel using angular gears centred on crosshead



99.27 Actuation with handwheel using angular gears on crosshead, double spindle



99.28 Actuation with chain wheel and chain protector