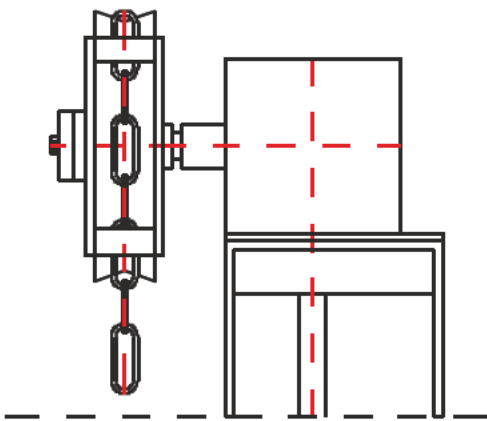
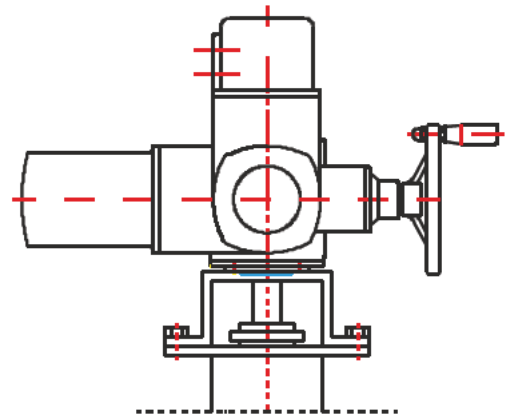


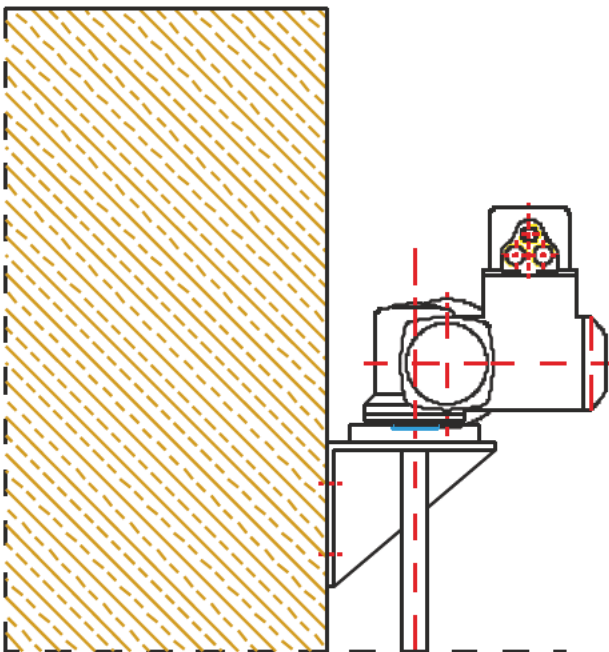
99.29 - 32 Antriebsformen - Actuation types - Formes d'entrainements



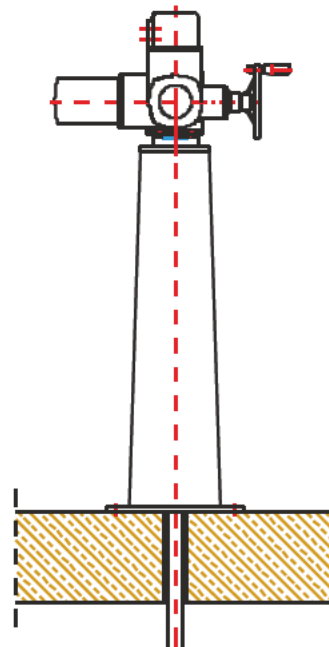
99.29 Actuation with chain wheel and chain protection using angular gear



99.30 Actuation with electrical drive

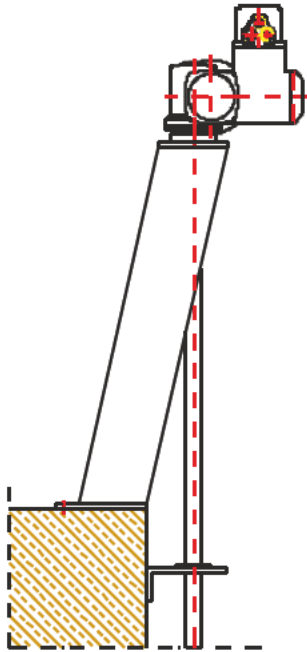


99.31 Actuation with electrical drive on manhole wall

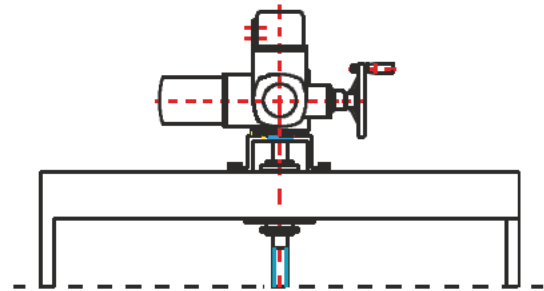


99.32 Actuation with electrical drive on straight floor-mounted pillar

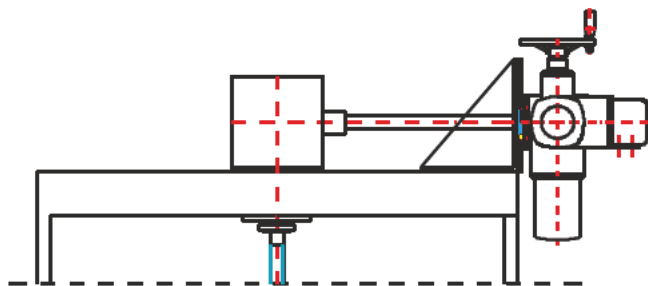
99.33 - 36 Antriebsformen - Actuation types - Formes d'entrainants



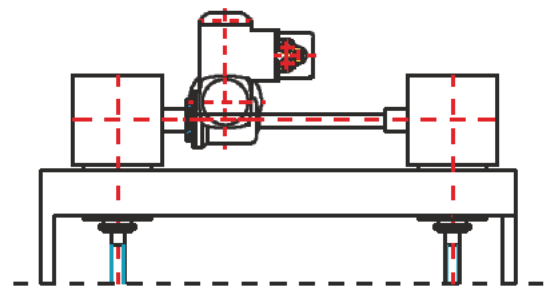
99.33 Actuation with electrical drive on cranked floor-mounted pillar



99.34 Actuation with electrical drive centred on crosshead



99.35 Actuation with electrical drive using angular gears to side of crosshead



99.36 Actuation with electrical drive using angular gears on crosshead, double spindle